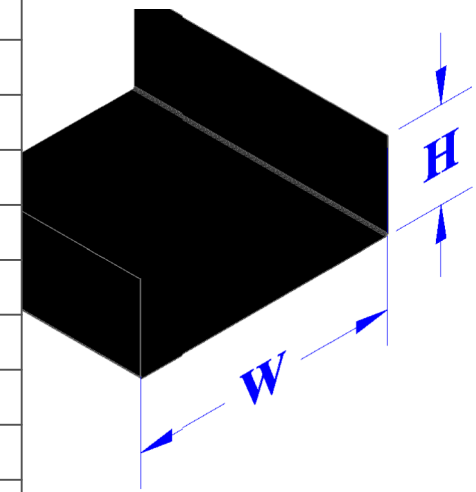


| WBT-Form W/ Sides HxWx(up to 250') | | TRAY HEIGHT = H * = Special Order Tray Sizes | | | | | |
|--|-----|---|------------|------------|------------|------------|-------------|
| | | 2 | 4 | 6 | 8* | 10* | 12* |
| TRAY WIDTH =W | x4 | 2x3.63 | 4x3.63 | 6x3.63 | N/A | N/A | N/A |
| | x6 | 2x5.63 | 4x5.63 | 6x5.63 | N/A | N/A | N/A |
| | x8 | 2x7.63 | 4x7.63 | 5.94x7.63 | 8x7.63 | N/A | N/A |
| | x10 | 2x9.63 | 4x9.63 | 5.94x9.63 | 7.94x9.63 | 9.94x9.63 | N/A |
| | x12 | 2x11.63 | 4x11.63 | 5.94x11.63 | 7.94x11.63 | 9.94x11.63 | 11.94x11.63 |
| | x14 | 2x13.63 | 3.94x13.63 | 5.94x13.63 | 7.94x13.63 | 9.88x13.63 | 11.83x13.63 |
| | x16 | 2x15.63 | 3.94x15.63 | 5.88x15.63 | 7.88x15.63 | 9.88x15.63 | 11.83x15.63 |
| | x18 | 1.94x17.63 | 3.94x17.63 | 5.88x17.63 | 7.88x17.63 | 9.88x17.63 | 11.83x17.63 |
| | x20 | 1.94x19.63 | 3.94x19.63 | 5.88x19.63 | 7.88x19.63 | 9.88x19.63 | 11.81x19.63 |
| | x22 | 1.94x21.63 | 3.88x21.63 | 5.88x21.63 | 7.88x21.63 | 9.83x21.63 | 11.81x21.63 |
| | x24 | 1.94x23.63 | 3.88x23.63 | 5.88x23.63 | 7.83x23.63 | 9.83x24.63 | 11.81x23.63 |

N/A =
Not Applicable



NOTE: Adjustment to width may vary depending on the tolerance in which the tray was formed. The Width will always be .375" less than the center to center dimension of the formed tray walls. Dimension provided in the table are in lieu of a tray formed at the exact width shown.

**(Hx2)+W=
Flat Cut Before Hem**

General Notes:

- 1) UL 94V-0 Flame Class Rating.
- 2) RoHS Compliant.
- 3) Non-hygroscopic (moisture absorption <0.1%).
- 4) Temperature range to 115°C / 239°F
- 5) Available in 250 ft. rolls for larger installations
- 6) Finish: Black or White.
- 7) Material Thickness = .017"

Run Lengths Available Up to 250' !

| | | | | |
|----------------------------------|---|------------------------|------------------------|------------------------|
| WBT <small>LLC</small> | This drawing in design and detail is the property of WBT, LLC. and must not be used except in connection with our work. All rights of design or invention are reserved. | | | |
| | PART # OR NAME WBT Form w/ Sides | | | DRAWN BY RJM |
| | SIZE A | DATE 1/28/16 | SCALE Varies | SHEET 1 OF 1 |