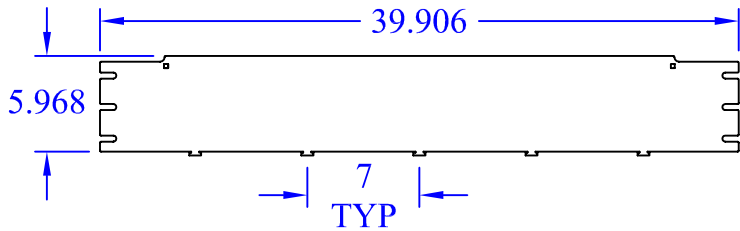
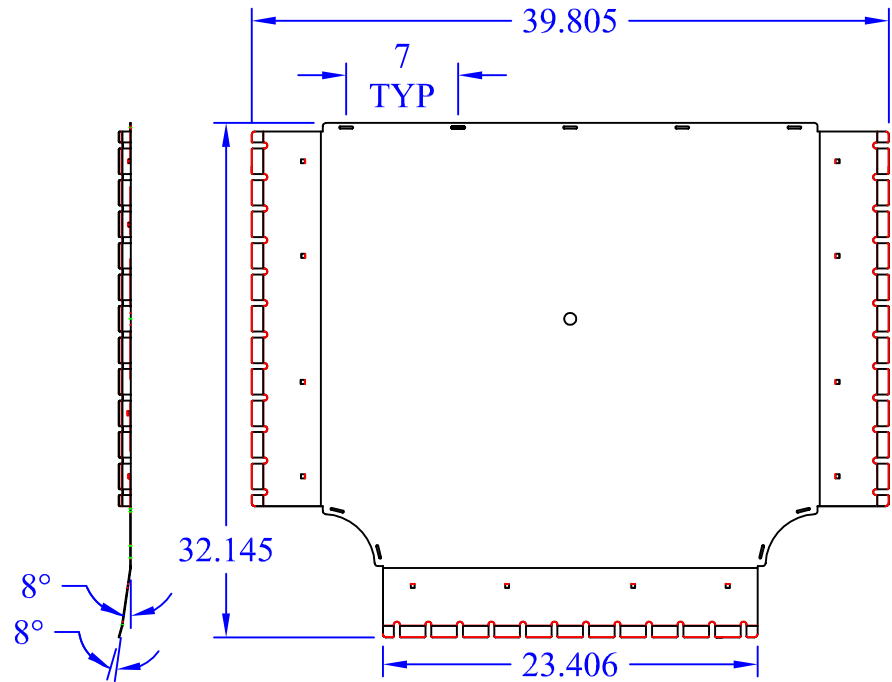


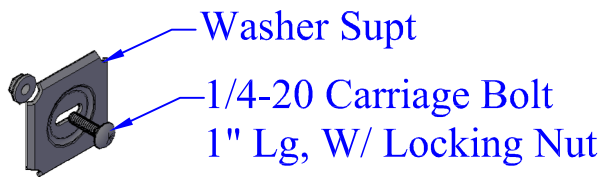
(2) WBT-6 IR



(1) WBT-T-6x24 TBACK



(1) WBT-T-Xx24 BASE



(9) Washer Supt



This drawing in design and detail is the property of WBT, LLC. and must not be used except in connection with our work. All rights of design or invention are reserved.

PART # OR NAME			DRAWN BY	
WBT-T-6x24 XX			RJM	
SIZE	DATE	SCALE	SHEET	REV
A	4/20/15	VARIES	1 OF 1	N/A