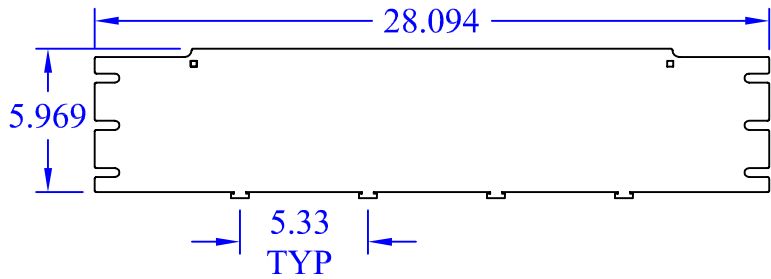
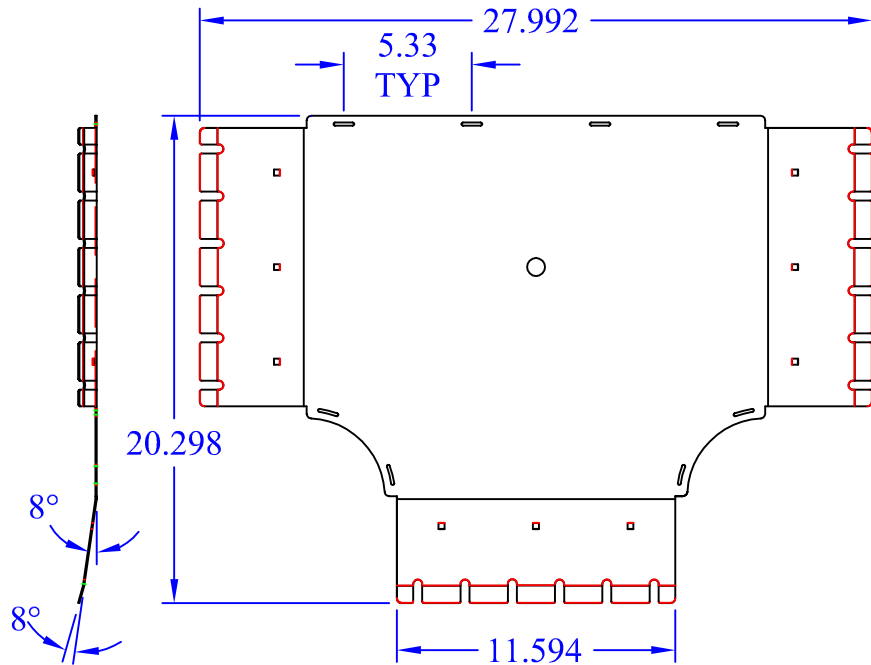


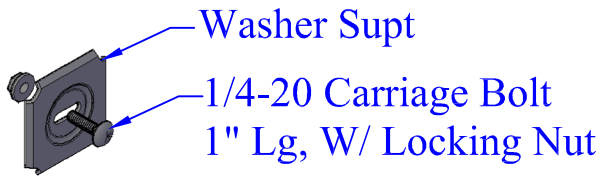
(2) WBT-6 IR



(1) WBT-T-6x12 TBACK



(1) WBT-T-6x12 BASE



(6) Washer Supt



This drawing in design and detail is the property of WBT, LLC. and must not be used except in connection with our work. All rights of design or invention are reserved.

PART # OR NAME WBT-T-6x12 XX			DRAWN BY RJM	
SIZE A	DATE 4/8/15	SCALE VARIES	SHEET 1 OF 1	REV N/A