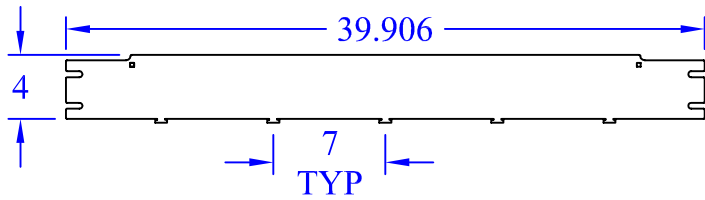
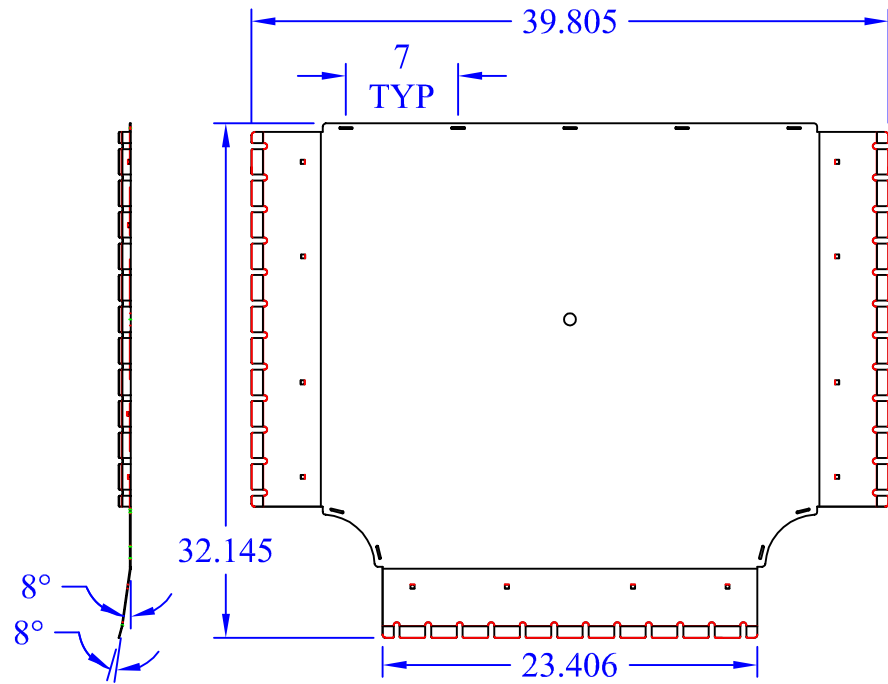


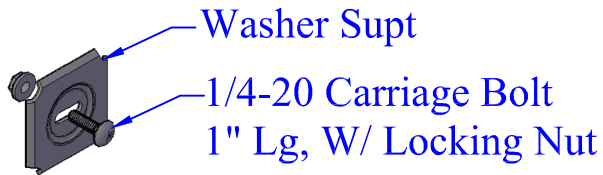
(2) WBT-4 IR



(1) WBT-T-4x24 TBACK



(1) WBT-T-Xx24 BASE



(9) Washer Supt

<b>WBT</b> LLC		This drawing in design and detail is the property of WBT, LLC. and must not be used except in connection with our work. All rights of design or invention are reserved.			
		PART # OR NAME <b>WBT-T-4x24 XX</b>		DRAWN BY <b>RJM</b>	
SIZE <b>A</b>	DATE <b>4/20/15</b>	SCALE <b>VARIES</b>	SHEET <b>1 OF 1</b>	REV <b>N/A</b>	