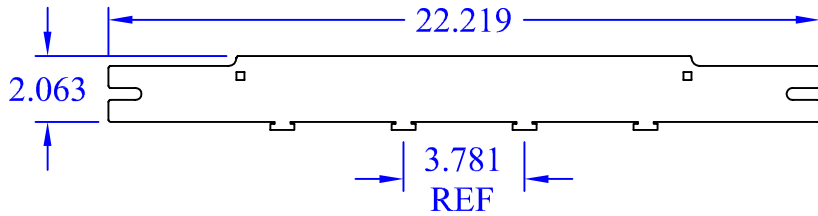
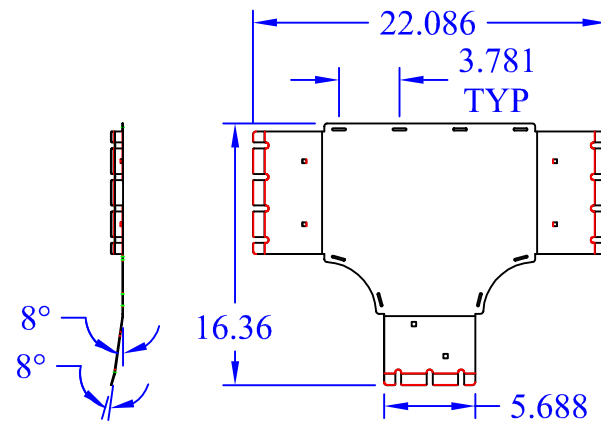


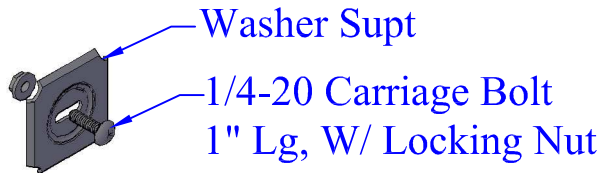
(2) WBT-2 IR



(1) WBT-T-2x6 TBACK



(1) WBT-T-Xx8-6 BASE



(3) Washer Supt

<b>WBT</b> LLC					This drawing in design and detail is the property of WBT, LLC. and must not be used except in connection with our work. All rights of design or invention are reserved.				
					PART # OR NAME			DRAWN BY	
					WBT-T-2x8-6 XX			RJM	
SIZE	DATE	SCALE	SHEET	REV					
A	5/2/17	VARIES	1 OF 1	N/A					