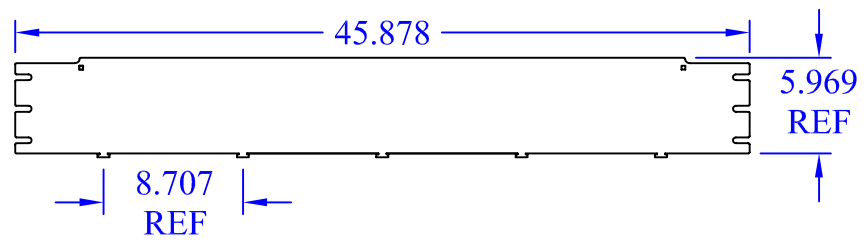
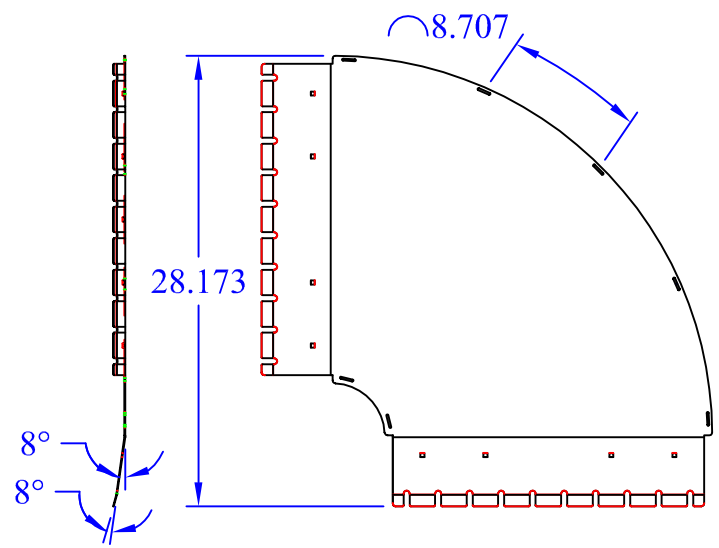


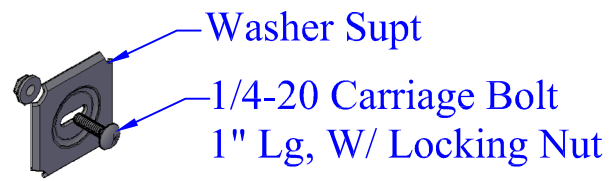
(1) WBT 6 IR



(1) WBT-90-6x20 OR



(1) WBT-90-Xx20 Base



(6) Washer Supt

WBT ^{LLC}	This drawing in design and detail is the property of WBT, LLC. and must not be used except in connection with our work. All rights of design or invention are reserved.			
	PART # OR NAME WBT-90-6x20 XX			DRAWN BY RJM
	SIZE A	DATE 10/9/15	SCALE VARIES	SHEET 1 OF 1
			REV N/A	