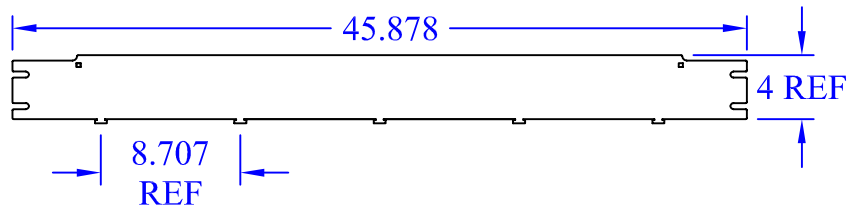
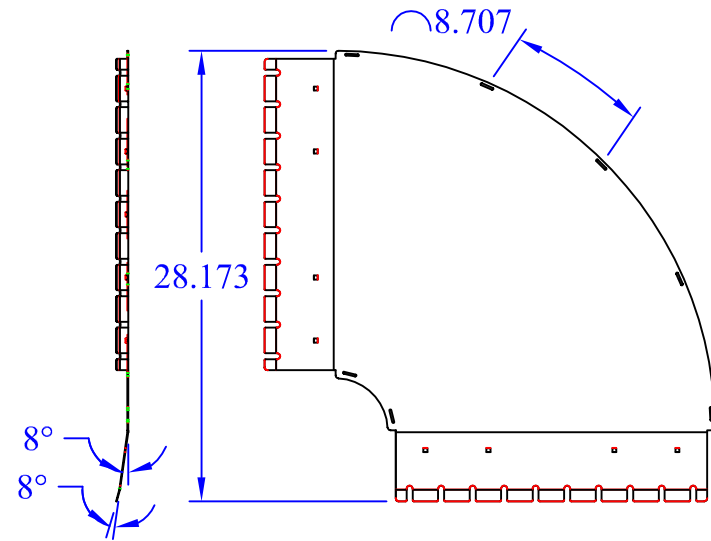


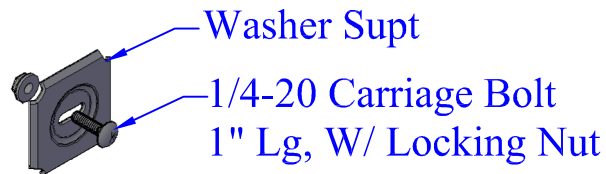
(1) WBT 4 IR



(1) WBT-90-4x20 OR



(1) WBT-90-XXx20 Base



(6) Washer Supt



This drawing in design and detail is the property of WBT, LLC. and must not be used except in connection with our work. All rights of design or invention are reserved.				
PART # OR NAME <b>WBT-90-4x20 XX</b>			DRAWN BY <b>RJM</b>	
SIZE <b>A</b>	DATE <b>10/9/15</b>	SCALE <b>VARIES</b>	SHEET <b>1 OF 1</b>	REV <b>N/A</b>