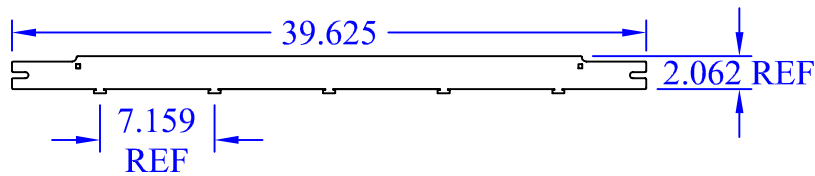
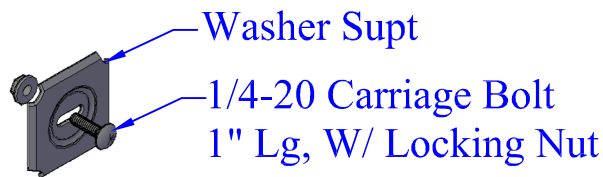


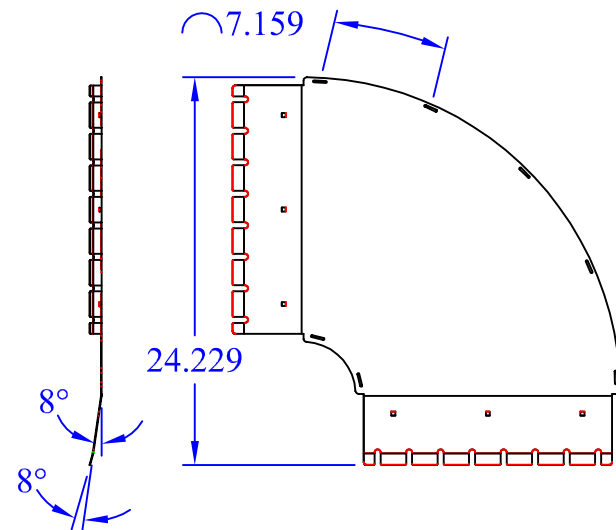
(1) WBT 2 IR



(1) WBT-90-2x16 OR



(4) Washer Supt



(1) WBT-90-Xx16 Base



This drawing in design and detail is the property of WBT, LLC. and must not be used except in connection with our work. All rights of design or invention are reserved.				
PART # OR NAME WBT-90-2x16 XX			DRAWN BY RJM	
SIZE A	DATE 10/8/15	SCALE VARIES	SHEET 1 OF 1	REV N/A