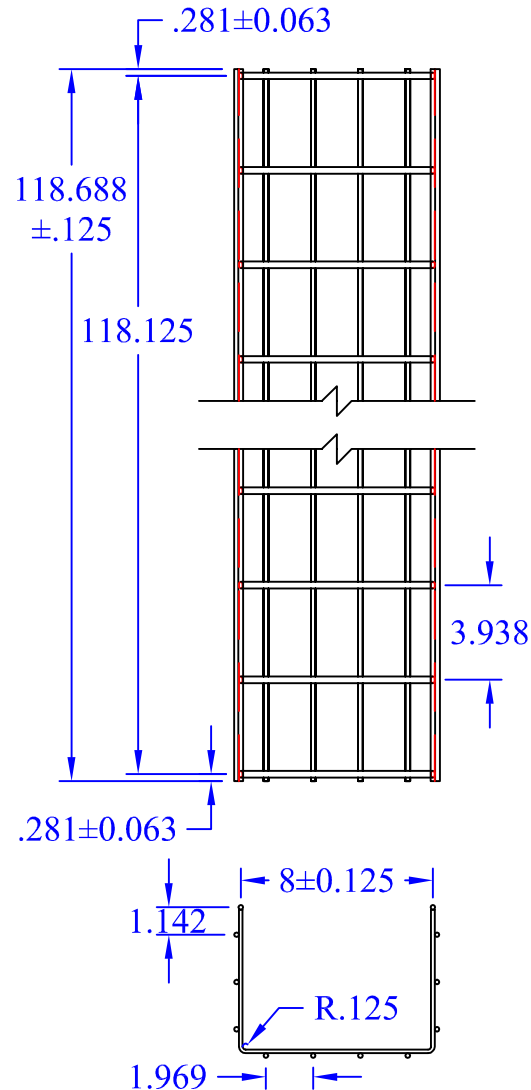


Formed Using a Standard 20"x118.7" Shaped Flat Sheet



General Notes:

- 1) Material:
 - A. Regular Galvanized Wire Per ASTM A641
 - B. Carbon Steel Bright Basic Wire Per ASTM A510 Grade 1008
- 2) Material Thickness:
 - A. Longitudinal Wire Ø: 5 mm = .197"
 - B. Rib Wire Ø: 5 mm Shaped Wire = .15" ±.002 Driven on Flat
- 3) Carbon Finish: (Carbon Steel Wire Only)
 - A. Electrodeposited Zinc, Type III Finish, per ASTM B633
 - B. Polyester Powder Coating 1.2mm - 3.0mm TK
- 4) Dimensional Tolerances
 - A. As Shown on Drawing, Generally ± .125" U.N.O.
 - B. Wire Twist Tolerance: ±.5" on a Standard 10' Section
- 5) Bend Radius:
 - A. R .125" (± .0625), TYP. U.N.O.



This drawing in design and detail is the property of WBT, LLC. and must not be used except in connection with our work. All rights of design or invention are reserved.

PART # OR NAME

WBT 6x8 Shaped

DRAWN BY

RJM

SIZE
A

DATE
11/12/15

SCALE
1-1/2"=1'

SHEET
1 OF 1

REV
N/A