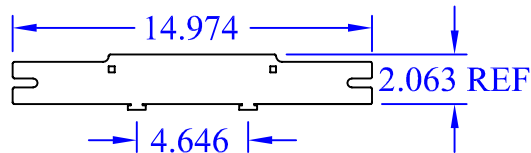
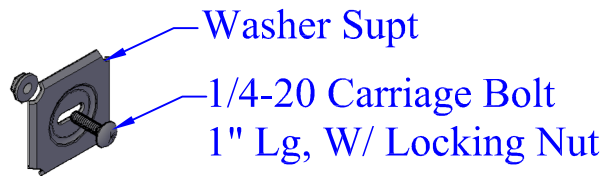


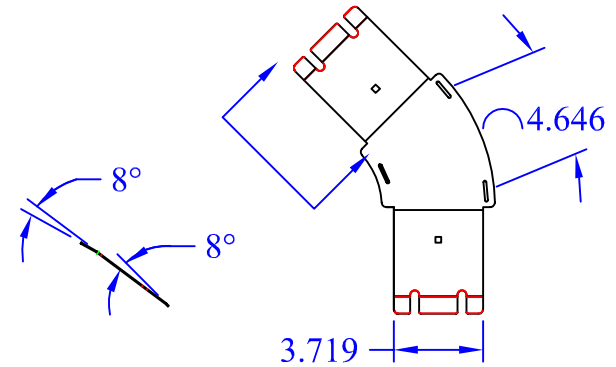
(1) WBT-45-2 IR



(1) WBT-45-2x4 OR



(2) Washer Supt



(1) WBT-45-Xx4 Base



This drawing in design and detail is the property of WBT, LLC. and must not be used except in connection with our work. All rights of design or invention are reserved.

PART # OR NAME			DRAWN BY	
WBT-45-2x4 XX			RJM	
SIZE	DATE	SCALE	SHEET	REV
A	10/21/15	VARIES	1 OF 1	N/A