

**General Notes:**

1) Material:

A) Commercial Quality Mill Galvanized Steel per ASTM A653 & A9924 w/ G-90 Coating. Min Yield= 33KSI

B) Material to be commercial hot rolled pickled & oiled steel per ASTM A569

2) Dimensional Tolerances

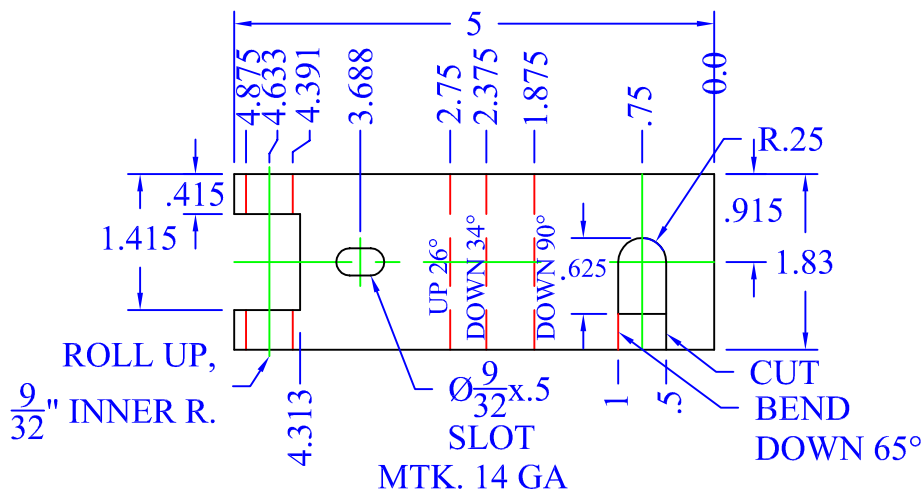
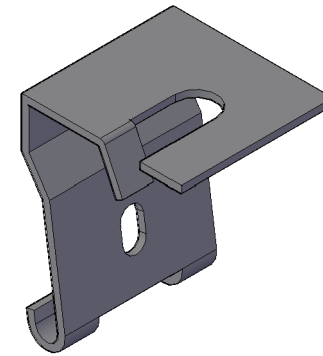
A) General:  $\pm .03$ "

B) Angular:  $\pm 2^\circ$

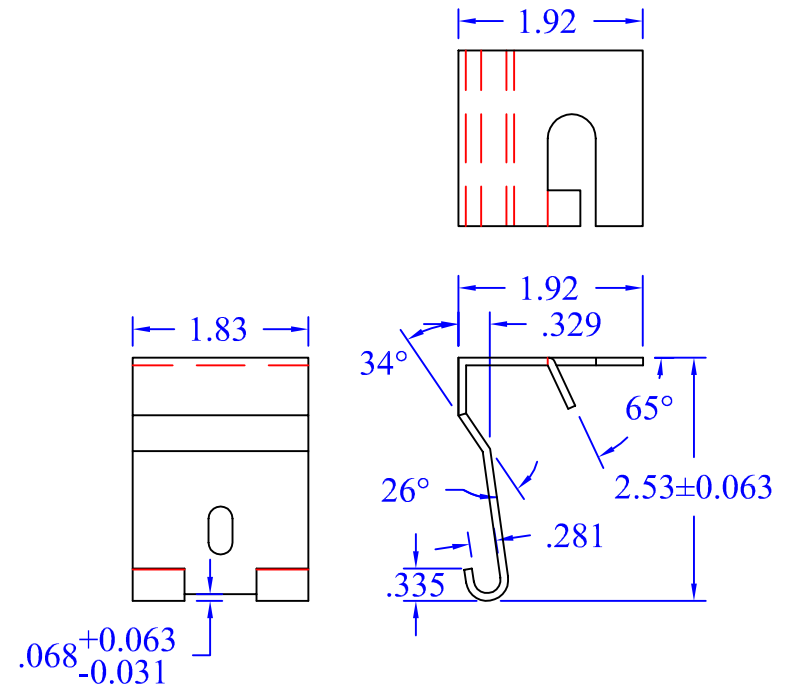
C) Hole / Slot Location:  $\pm .03$ "

3) Material Thickness (Nom): 14GA = .0785

4) Finish: Electro-galvanized Per ASTM B633-SC1 type 3



**FLAT LAYOUT PLAN**



**FORMED LAYOUT**



This drawing in design and detail is the property of WBT, LLC. and must not be used except in connection with our work. All rights of design or invention are reserved.				
PART # OR NAME			DRAWN BY	
TRAP SUPT			RJM	
SIZE	DATE	SCALE	SHEET	REV
A	2/11/16	6"-1'	1 OF 1	N/A