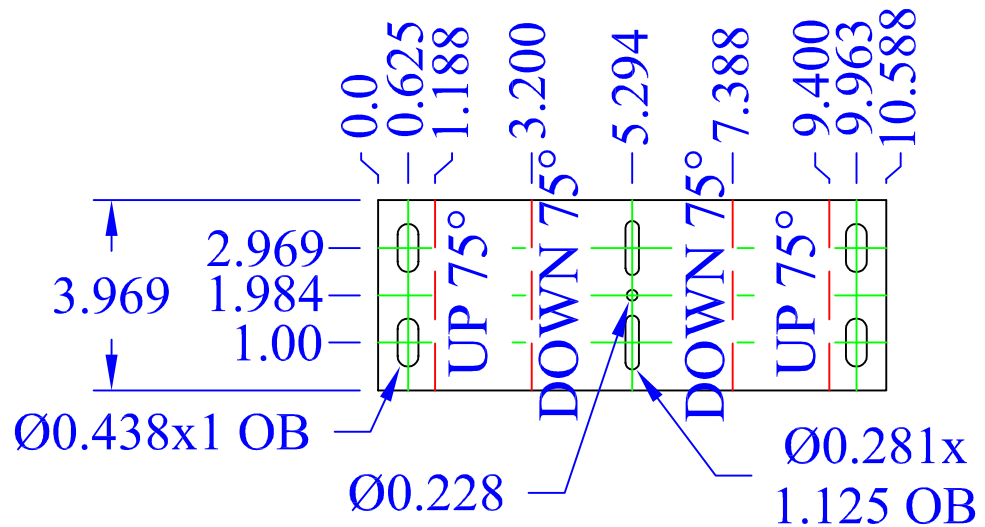


BENT VIEW



FLAT LAYOUT PLAN

General Notes:

- 1) Material:
 - A) Commercial Quality mill Galv steel per ASTM A653 & A924 w/ G-90 Coating
Min Yield= 33 KSI
- 2) Dimensional Tolerances
 - A) General: $\pm 1/8"$
 - B) Slot Location: $\pm 1/32"$
 - C) Angular $\pm 2^\circ$
- 3) All Units Inches
- 4) Material Thickness (NOM): 16 GA. GALV. = .056



This drawing in design and detail is the property of WBT, LLC. and must not be used except in connection with our work. All rights of design or invention are reserved.

PART # OR NAME		DRAWN BY	
Floor Supt 2x4		RJM	
SIZE	DATE	SCALE	SHEET
A	6/21/17	VARIABLES	1 OF 1
			REV
			N/A