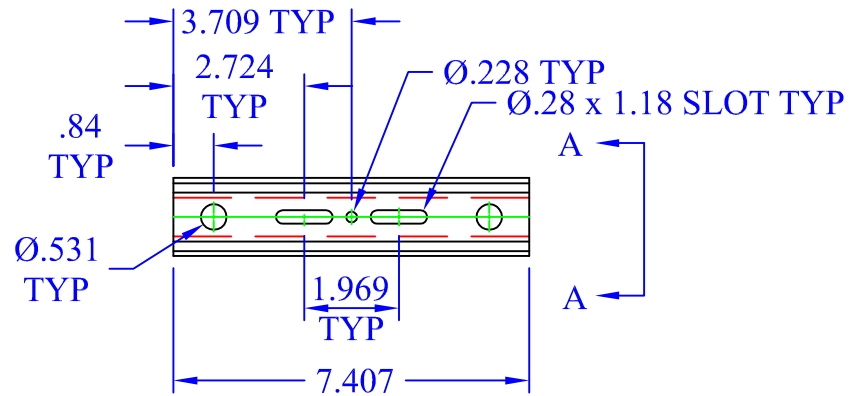


VIEW A-A
6"=1'



General Notes:

- 1) Material
 - A) Material to be commercial Quality Mill galvanized steel per ASTM A653 & A924 W/G-90 Coating min. yield = 33KSI
 - B) Material to be commercial hot pickled & oiled steel per ASTM A569
- 2) Dimensional Tolerances
 - A) General: .xx = +/- .03" .xxx = +/- .01"
 - B) Hole location: = +/- .03"
 - C) Hole diameter: = +/- .03"
 - D) Angular: +/- 2°
 - E) Material thickness: = ± .01"
- 3) Material Thickness (NOM) 12GA. = .1084"
- 4) All Angles to be 90° U.N.O.
- 5) Finish:
 - A) PreGalvanized G90 per ASTM A641
 - B) Powder Coat per ASTM D3451
 - C) Electroplated Zinc per ASTM B633



This drawing in design and detail is the property of WBT, LLC. and must not be used except in connection with our work. All rights of design or invention are reserved.

PART # OR NAME			DRAWN BY	
CEILING SUPT 4			RJM	
SIZE	DATE	SCALE	SHEET	REV
A	6/10/15	3"=1'	1 OF 1	N/A