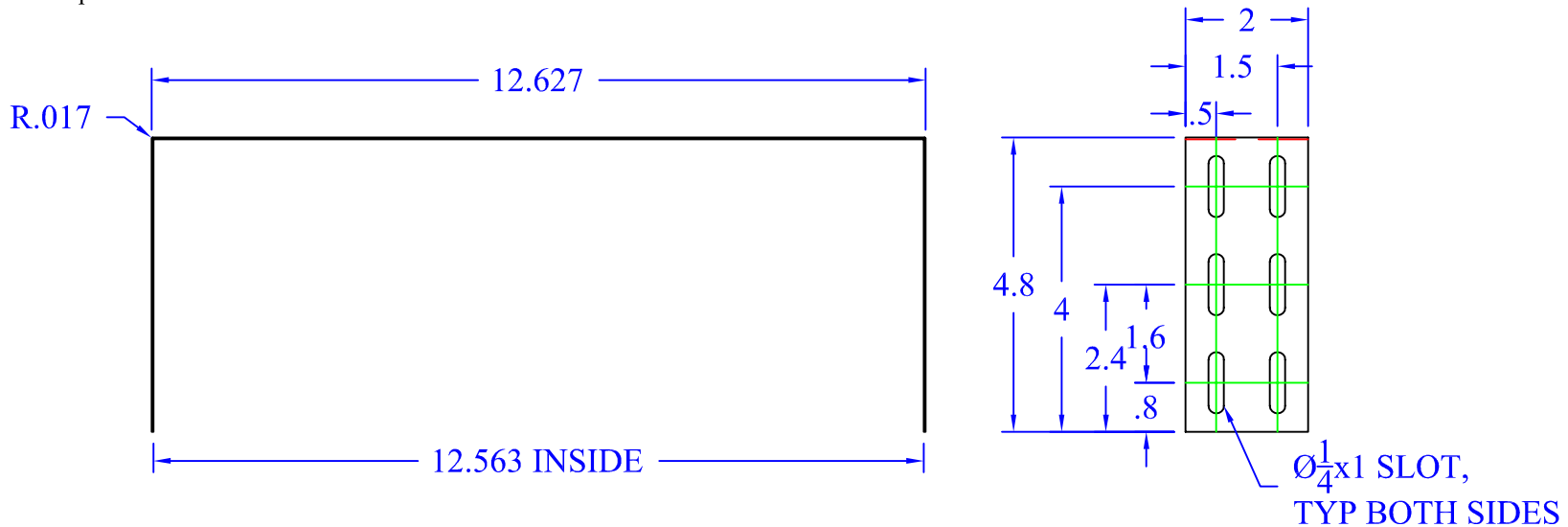


**General Notes:**

- 1) Material to be commercial quality mill galvanized steel per ASTM A653 w/ G-90 coating . Min Yield = 33 KSI
- 2) Dimensional Tolerances:
  - A) General:  $\pm .03$ "
  - B) Angular:  $\pm 2^\circ$
  - C) Hole location:  $\pm 1/32$ " (.8mm)
- 3) Material Thickness Min 22 GA = .032"
- 4) All Angles to be 90° U.N.O.
- 5) Finish: Electroplated After Fabrication



<b>WBT</b> LLC					This drawing in design and detail is the property of WBT, LLC. and must not be used except in connection with our work. All rights of design or invention are reserved.				
					PART # OR NAME			DRAWN BY	
					<b>2x12 BLIND END</b>			<b>RJM</b>	
SIZE	DATE	SCALE	SHEET	REV					
<b>A</b>	1/22/16	4"=1'	1 OF 1	N/A					